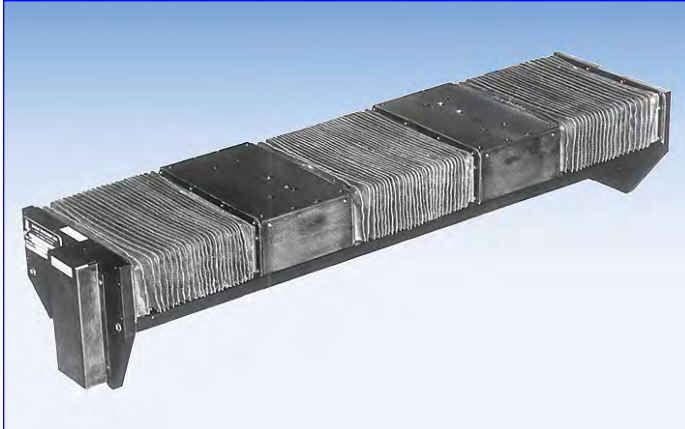


**Custom Positioning Systems**

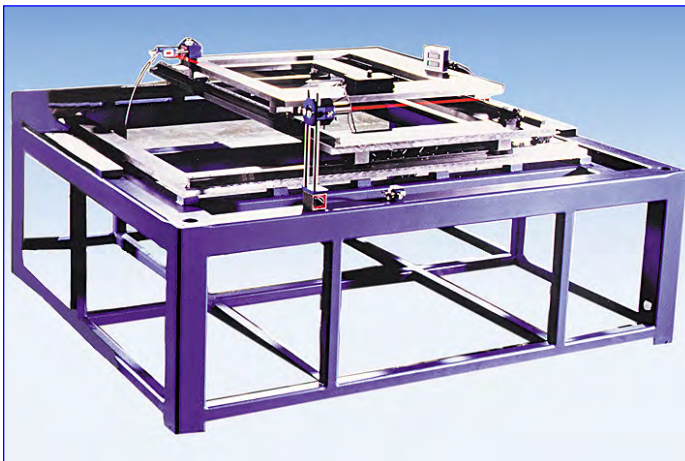
Sometimes a standard positioning system is not the right choice for a particular motion control application. Nor is it possible, or practical, to have the system built in house by your own design team. Let *LINTECH* take a look at your special requirements. *LINTECH* has been designing and building custom positioning systems for over 45 years. We can use our many years of experience to help you select the right approach to a unique motion control problem. Contact us with your requirements. We stand ready to assist you.



Two carriages (individually driven by two motors) on the same base for automated part assembly process

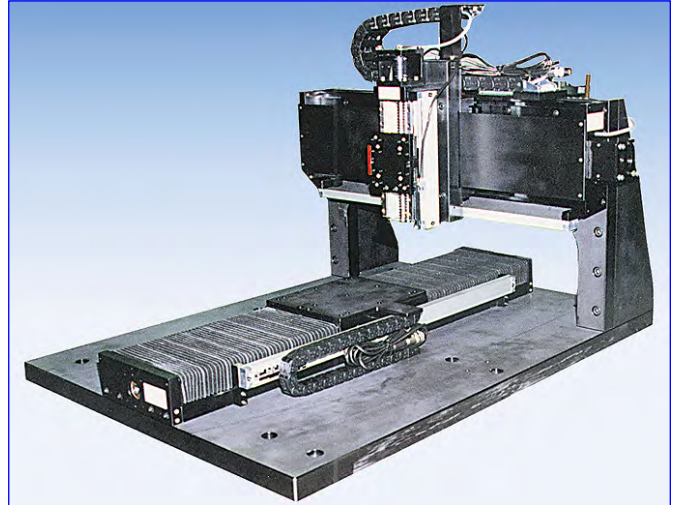


X-Y-Z automated assembly system with aluminum support structure



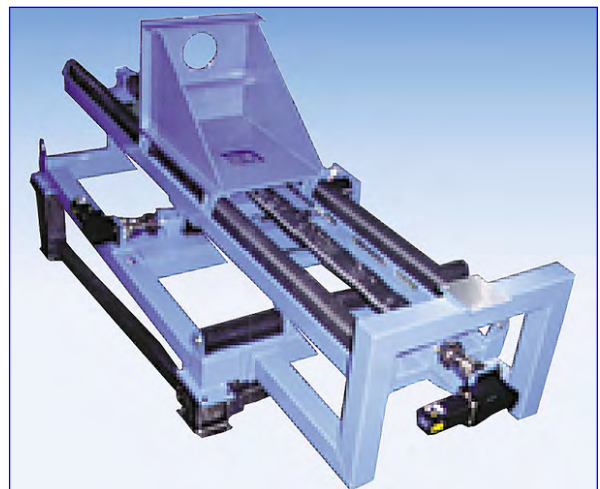
X-Y open frame inspection station with steel support structure

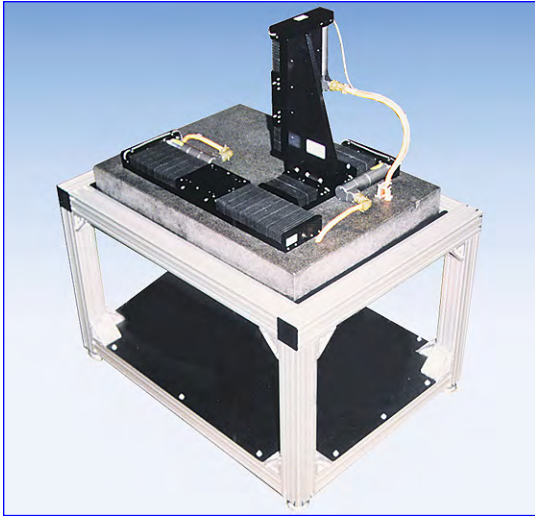
X-Z vision inspection station mounted on steel sub plate



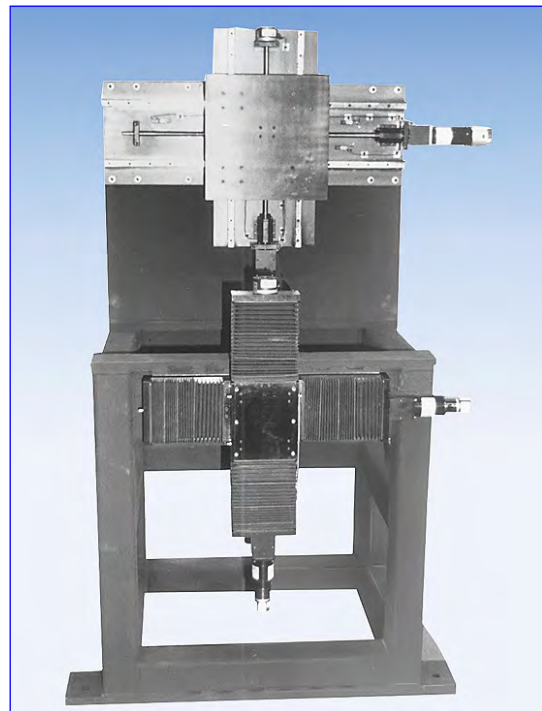
Belt driven long travel X-Y-Z inspection station with aluminum support structure

X-Y machine assembly process with steel support structure





X-Y-Z high accuracy  
chemical coating process  
mounted on granite & aluminum support structure

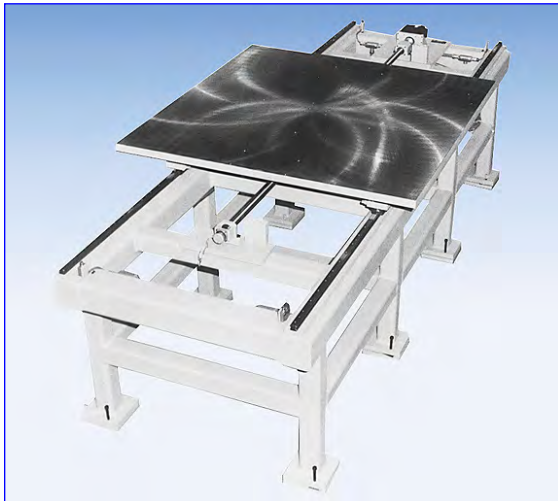
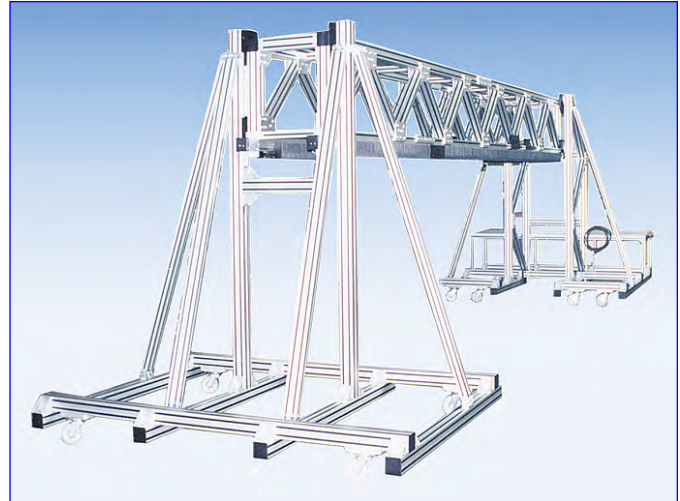


Two individual  
X-Y axes for laser cutting  
process supported by steel structure

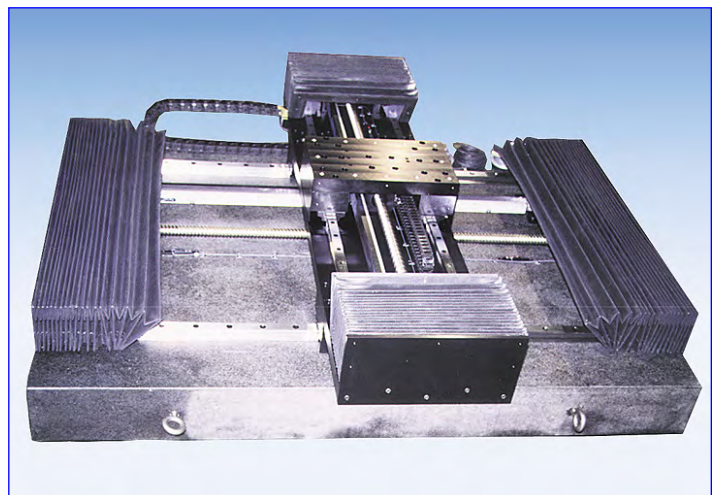


X-Y axis  
water jet cutting process  
with open frame steel support structure

X-Y belt driven  
infrared inspection station  
supported by movable aluminum structure



X axis machining station  
with steel support structure



X-Y laser marking assembly  
with granite surface support structure